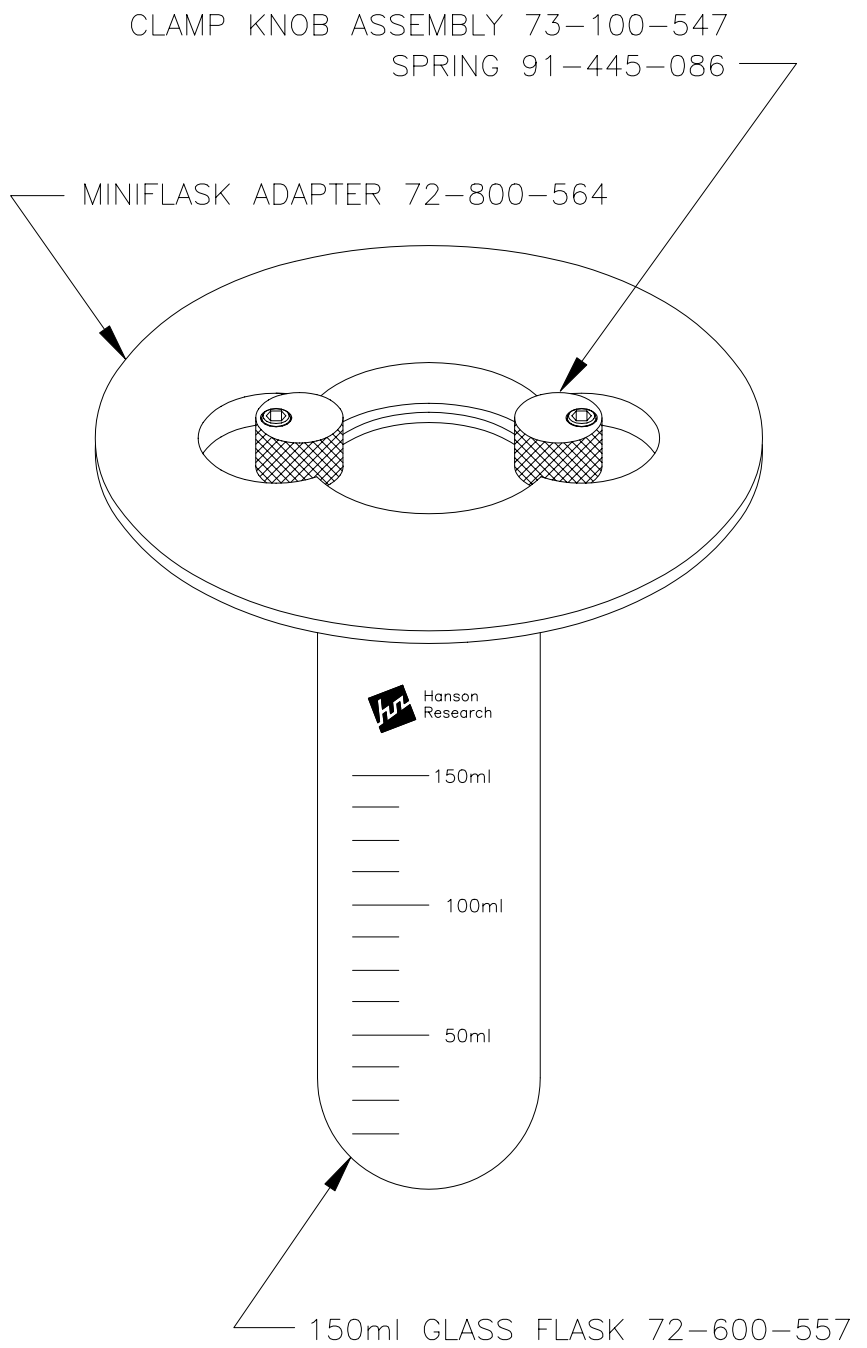


MINI PADDLE HEIGHT SETTING:

- 1) LOWER THE DRIVE HEAD DOWN ON THE LOCK COLLARS. PUSH DOWN ON EACH SHAFT UNTIL IT TOUCHES THE BOTTOM OF THE FLASK AND TIGHTEN THE CHUCK. USE CAUTION WHEN DOING THIS PROCEDURE AS NOT TO DAMAGE THE FLASK OR PUSH TOO HARD.
- 2) RAISE THE DRIVE HEAD ENOUGH TO INSERT THE AUTO HEIGHT ADJUSTING SPACER. THE SPACER IS TO BE CLIPPED ONTO 3/4" POLE BETWEEN THE LOCK COLLAR AND THE DRIVE UNIT. LOWER THE DRIVE BACK DOWN TO TOUCH THE SPACER. THIS WILL SET THE DISTANCE TO 10mm ± 2mm. THIS THE OPERATING POSITION.



THIS DRAWING AND ALL INFORMATION HEREON IS THE PROPERTY OF HANSON RESEARCH CORP. ANY COPYING, REPRODUCTION OR UNAUTHORIZED USE IS FORBIDDEN WITHOUT WRITTEN CONSENT.

REV	DESC	REV PER	ECO	1742
QTY PER UNIT		1-8		
USED ON		SR		

APPROVED BY	WALKER
DATE	12/16/92
SCALE	1 : 1

DRAWN BY	MUNOZ
DATE	12/16/92
SHEET	1 OF 1

TITLE		MINI FLASK ASSY	
DRAWING SIZE	DWG NO.	REVISION	
A	72-800-810	C	